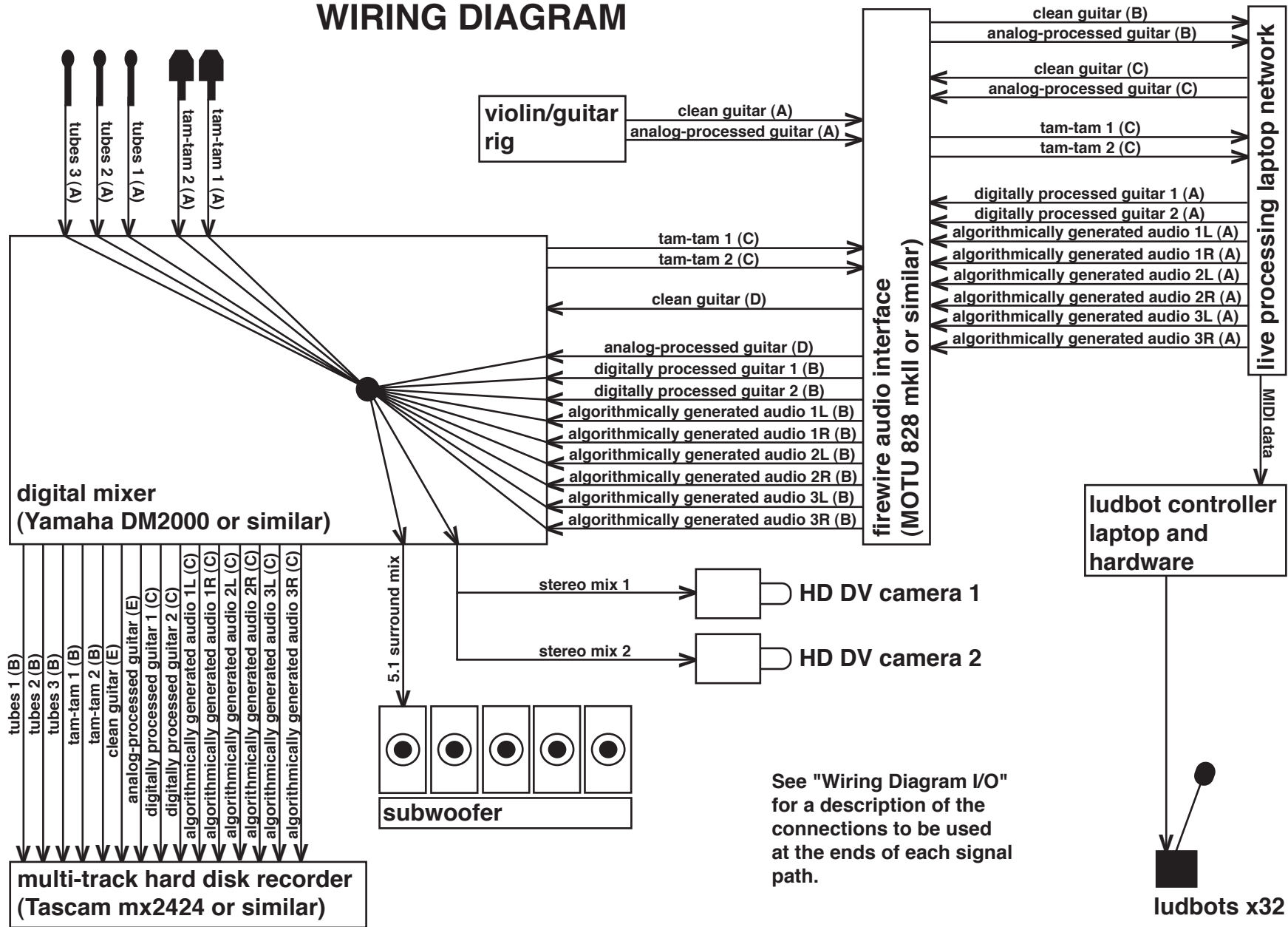


WIRING DIAGRAM



See "Wiring Diagram I/O" for a description of the connections to be used at the ends of each signal path.